

**Input**

Rated input voltage	100 V ~ 240 V ac
Input voltage range	90 V ~ 264 V ac
Rated frequency	50~60 Hz
Frequency range	47~63 Hz
Rated input current	1.2 A RMS max.
Inrush current	30 A max. at 115 / 50 A max. at 230 V ac cool start

Output

Output voltage	5 V dc at 6.5 A
Output min. current	0.1 A
Line regulation	± 1%
Load regulation	± 0.4 V
Over voltage protection	6.46 ~ 7.14 V dc max. (output shut down)
Short circuit protection	output shut down and auto restart
Ripple voltage	100 mV (p-p) (100~240 V ac at full load)
Efficiency	65% min.

Safety and EMI

HI-POT	input to output	1500 V ac or 2121 V dc at 10 mA for 1 min.
Insulation resistance	input to output	> 100 M Ohm at 500 V dc
Safety approvals	UL/cUL, GS, CE	
EMI standard	meets FCC class B, VCCI-II	
RoHS compliant	yes	
Leakage current	3.5 mA	

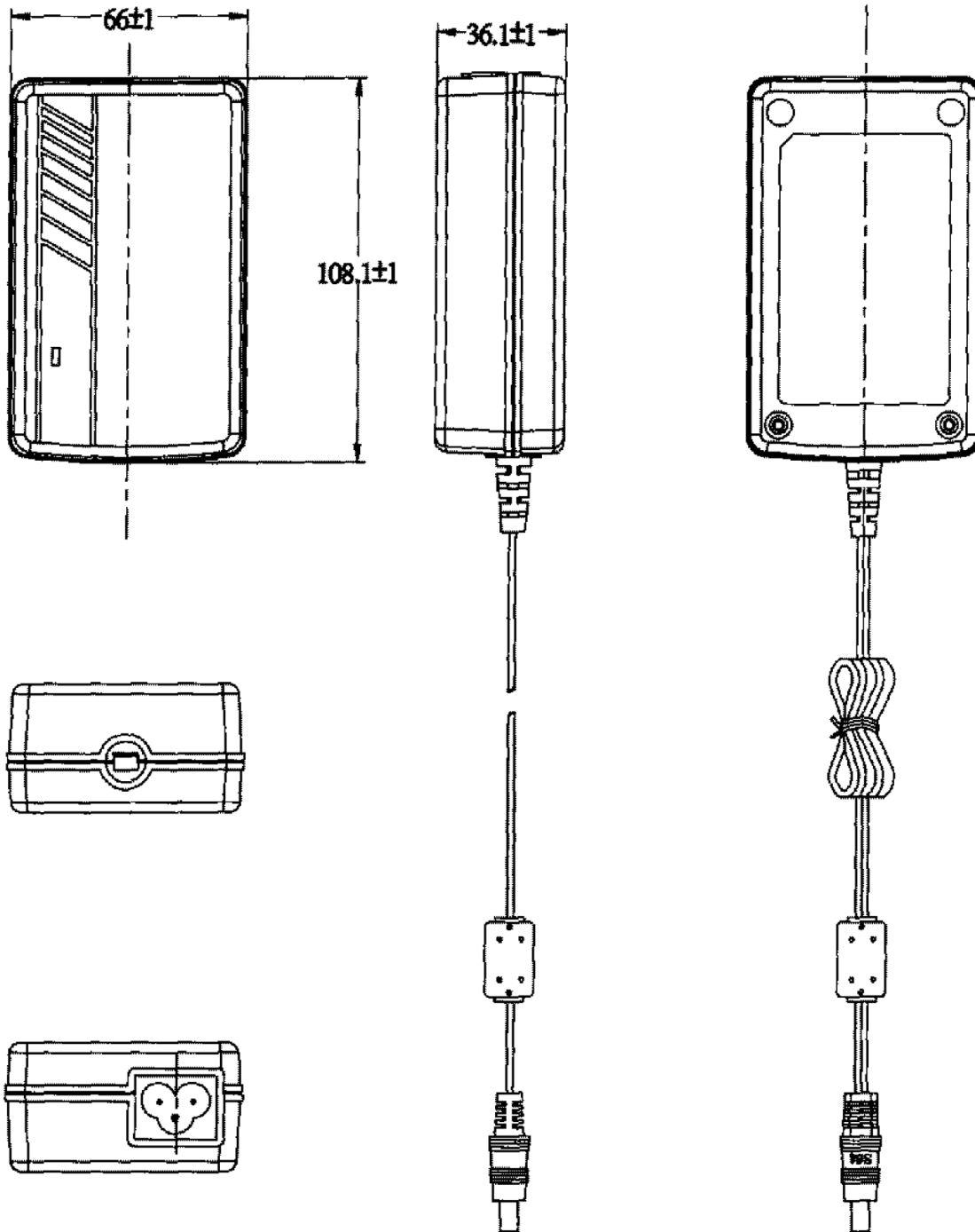
Environmental

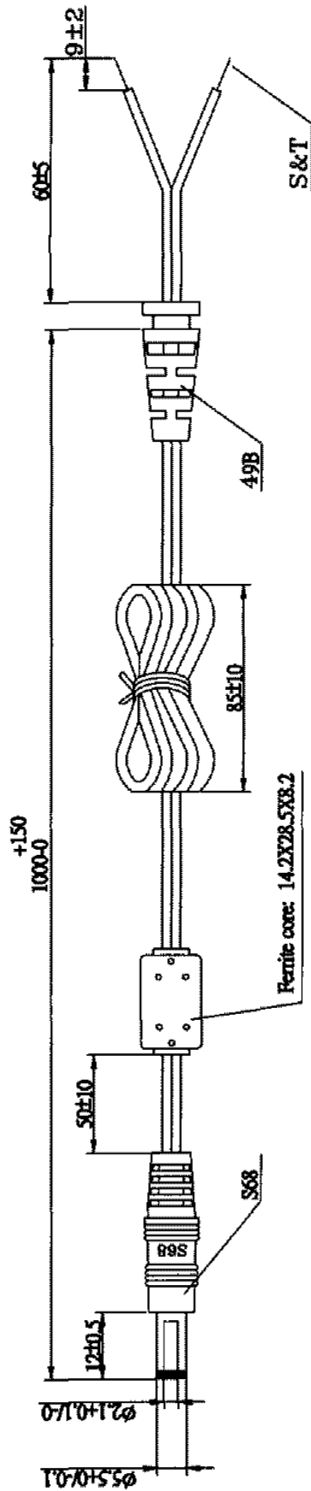
Storage temperature	-10°C ~ +70° C
Operating temperature	0°C ~ +40° C
Storage humidity	10~90%
Operating humidity	20~80%

Mechanical Drawing

 Tolerance: ± 1

Input plug	Inlet IEC320 3Pin Type
Weight	474 g
Case size	108.1 L x 66 W x 36.1 H mm



DC Cord


#16AWG XEC 105°C SPT-2 HAVE ON WORD WIRE IN OUTER, NO WORD WIRE IN INNER

WIRE OD: 3.6X7.2

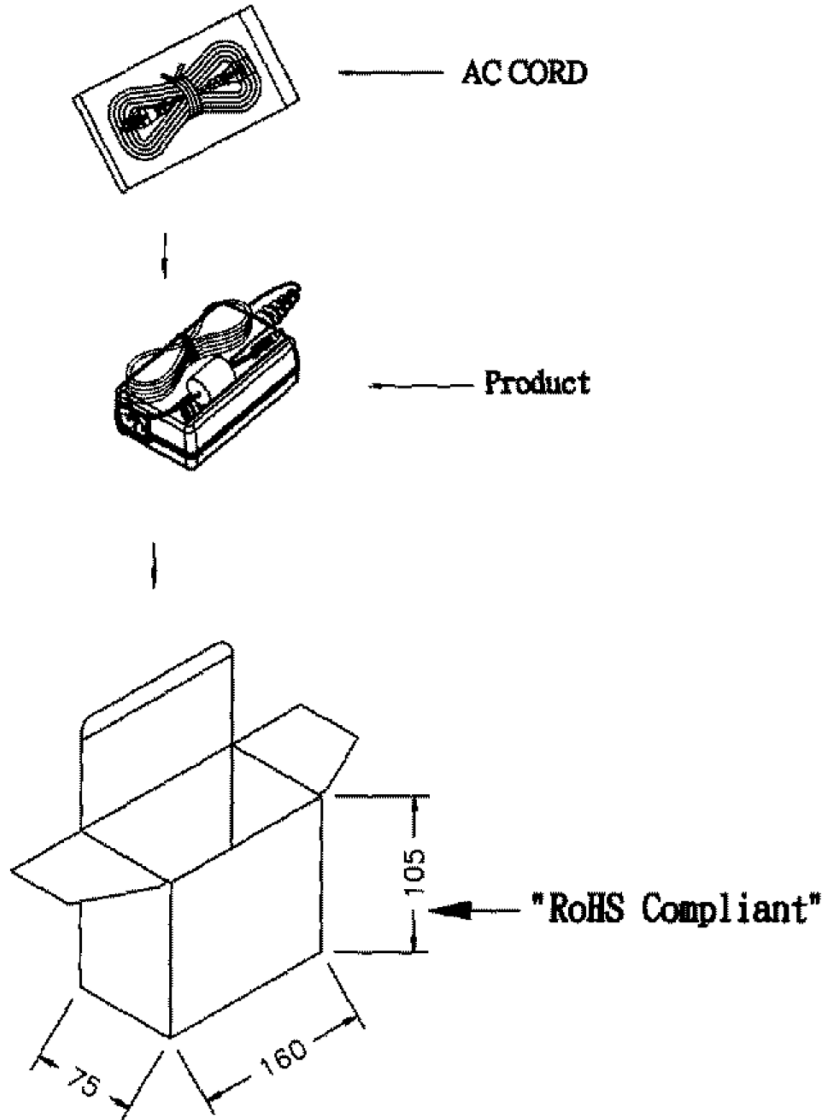


VIBRATION TEST	a. 360'
	b. WEIGHT 200g
	c. 40 ROUNDS/MINUTE
	d. OVER 1000 COUNT MIN



Individual Packaging

Tolerance: ± 1





Packaging

Tolerance: +7/-0

EXTERNAL CARTON MATERIAL:A=B(6mm)
INTERNAL CARTON MATERIAL:A-B(3mm)
CARTON SIZE: 410X346X245mm
Q'TY: 20pcs(10x2x1)±45mm
"RoHS Compliant"

